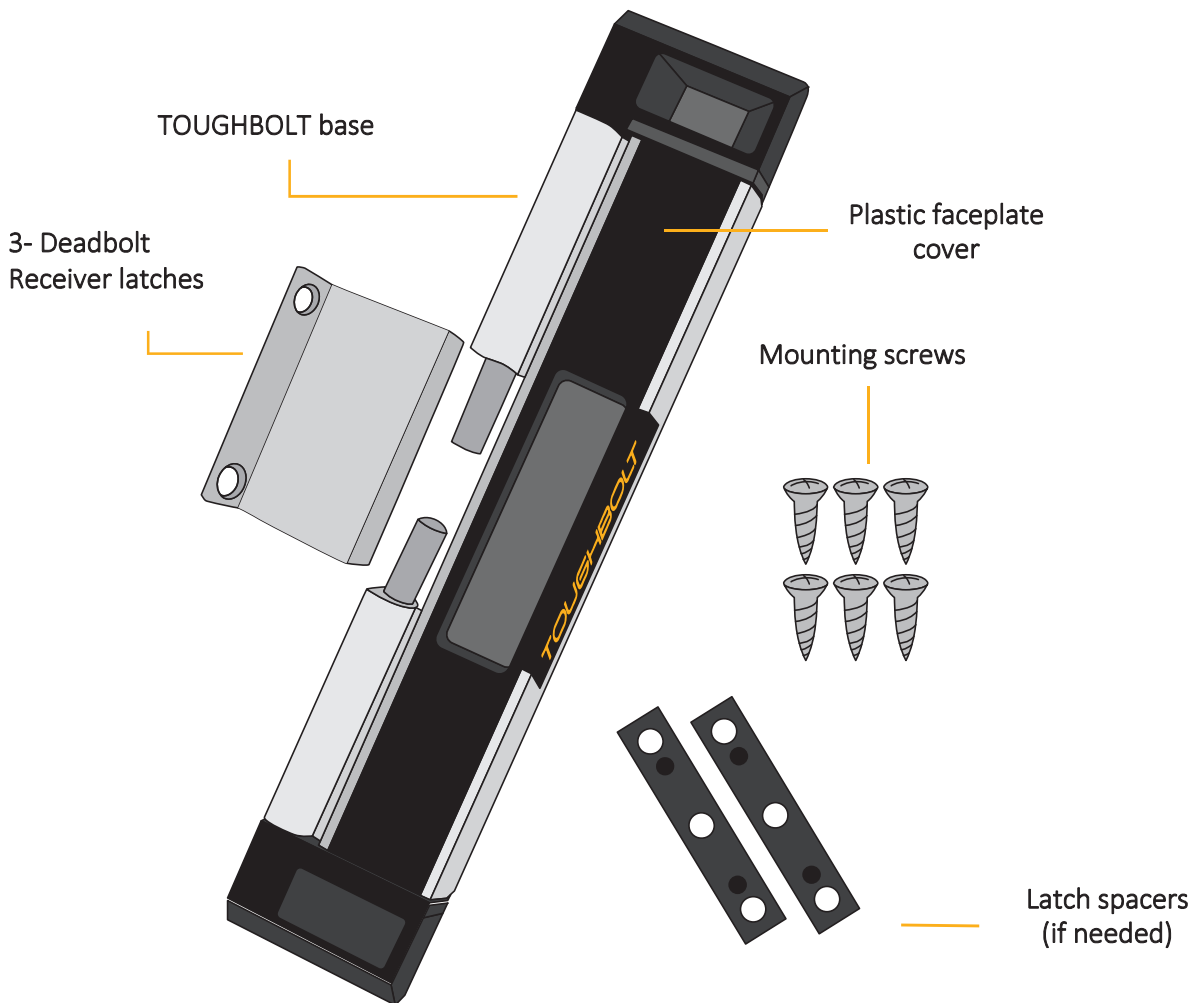


TOUGHBOLT

RAISING SLIDING DOOR SECURITY
TOUGHBOLT.COM



WHAT'S INCLUDED:



TOUGHBOLT INSTALLATION INSTRUCTIONS

TOOLS NEEDED:

- Drill with 1/8" bit
- Medium Phillips Screwdriver
- Pencil
- Small Flathead Screwdriver or Knife

STEP - 1

REMOVE FACEPLATE

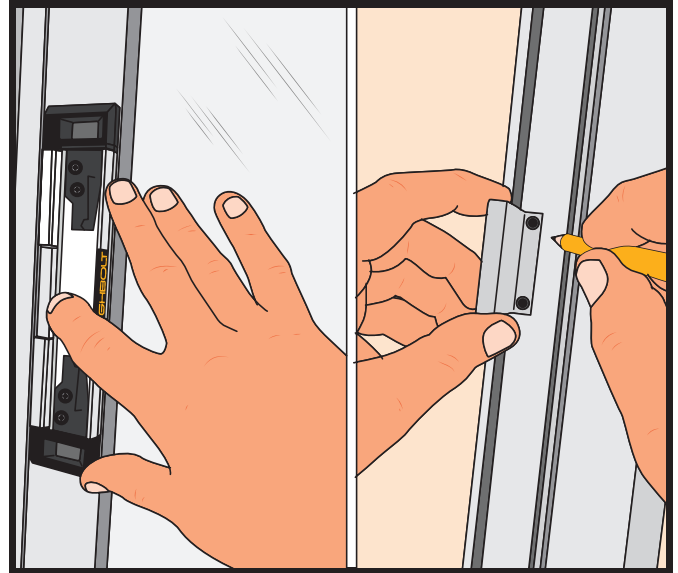
Using a small screwdriver or knife, gently remove the plastic faceplate, exposing the inside of the TOUGHBOLT lock and the screw holes as pictured below:



STEP - 2

MARK LOCATION OF TOUGHBOLT

With the plastic faceplate cover removed, hold the TOUGHBOLT lock base and latch, up to the door at the desired height and make a small mark with a pencil to indicate the location to be installed. Remove the latch from the TOUGHBOLT base, and with one hand, hold the latch, and mark the two holes on the inside of the door jamb where the screws will be placed as pictured below:

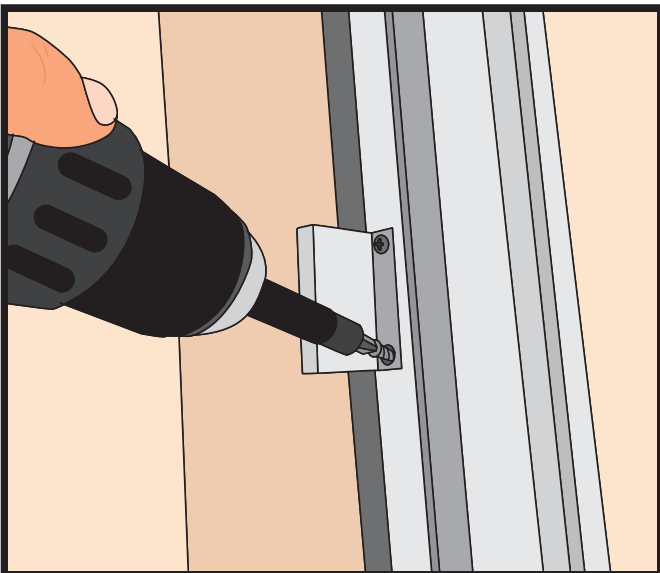


STEP - 3

ATTACH THE LATCH TO (INSIDE OF) DOOR JAMB

Using a 1/8" (3.2mm) drill bit, drill the two holes that were previously marked. Then screw in the two screws, using one of the three *latches included, being careful to not overtighten.

**For deep door tracks, use large latch, for narrow door tracks, use the small receiver latch*

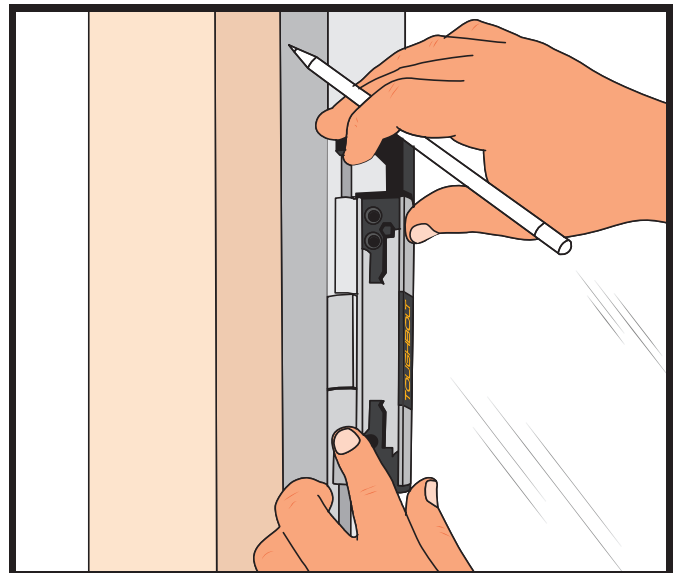


(latch spacers can be used here if needed)

STEP - 4

ALIGN LOCK BASE ON DOOR

With the latch attached to door jamb, center the latch to the TOUGHBOLT lock base, align it as pictured below, closing the door to identify the correct location. Once you have it aligned, mark the four holes with a pencil as pictured below:

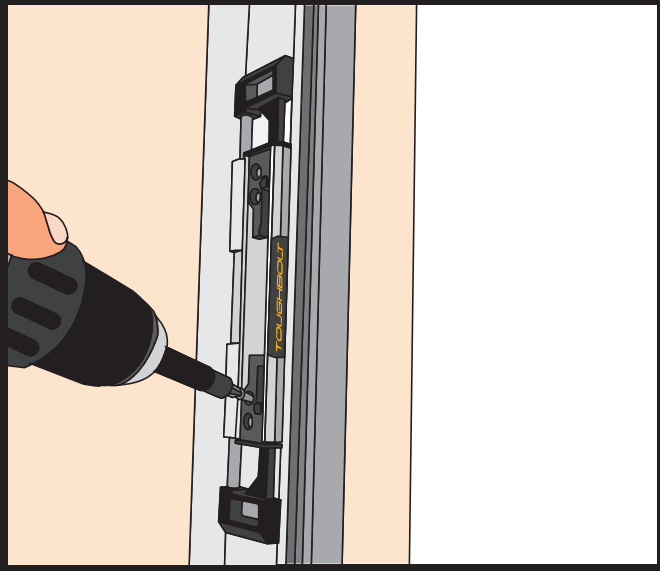


STEP - 5

ATTACH LOCK BASE TO DOOR

Using the same drill and bit, drill the holes just marked, then screw in the screws being careful not to overtighten.

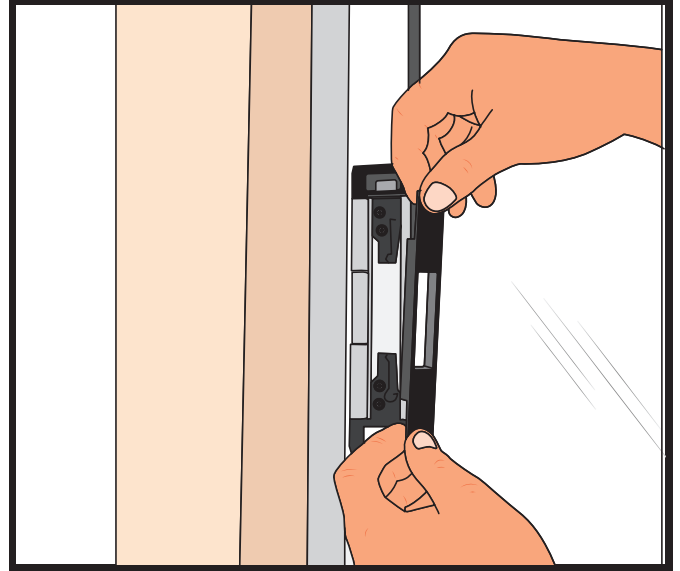
Caution: When drilling holes in door frame, be sure that the drill and screws do not come close to or in contact with glass as it can cause the glass to shatter!



STEP - 6

ATTACH FACEPLATE

Gently snap the black plastic faceplate cover back into the base.



Should you have questions or concerns,
please reach out to us at:
Support@TOUGHBOLT.com